

---

# BRISTAN

---

Beeline Monobloc Kitchen Mixer Tap

Fitting Instruction & Contents List




Please keep these instructions for future reference and request of replacement parts

## Contents

Thank you for choosing Bristan, the UK's leading taps and showers expert. We have designed this product with your enjoyment in mind. To ensure that it works to its full potential, it needs to be fitted correctly. These fitting instructions have been created to give you all of the information you need and, if you need any further help, please do not hesitate to give us a call on 0330 026 6273.

Important Safety Information	03-04
General Specifications	05
Installation Requirements	05
Installation	06-07
Operation	07
Maintenance	07
Troubleshooting	09
Guarantee	10

## Important Safety Information

- Please read these instructions thoroughly and retain for future use.
- All products manufactured and supplied by Bristan are safe provided they are installed correctly, used correctly and receive regular maintenance in accordance with these instructions.
- **If you are in any doubt about your ability to install this product safely you must employ the services of an experienced qualified plumber.**
- Remove all packaging and check the components for damage before starting installation.
-  Before starting any installation please consider the following: Prior to drilling into walls, check that there are no hidden electrical wires, cables or water supply pipes. This can be checked with the aid of an electronic detector.
- If power tools are used do not forget to:
  - Wear eye protection
  - Unplug equipment after use
- This product **must** not be modified in any way as this will invalidate the guarantee.
- These fittings need to be installed in accordance with and meet the requirements of the Water Supply (Water Fittings) Regulations 1999 and Scottish Byelaws 2004.

## Warning from your water Supplier

- It could be a criminal offence to use this tap with a mains water supply drawn directly from the supply pipe.
- (The supply pipe is the one which brings the water supply into your home and is directly connected to the public water main).
- This tap has an outlet on a flexible hose which, if immersed in water, could result in contaminated water being drawn back into the pipework if the supply pressure dropped. To prevent contaminated water being drawn back into the pipework if the supply pressure dropped. To prevent contamination of drinking water in the premises and in the water main, and to comply with the legal requirement of the UK plumbing regulations and byelaws\*, **both hot and cold water supplied to this tap must come from a storage cistern.**
- If the distributing pipes feeding this tap from the storage cistern have other outlets connected to them, the outlet of this tap must be lower than any of those other outlets.
- If installed as a tap which is used for drawing water for drinking, and the quality of water from the storage cistern does not meet the standards for drinking water, a separate tap supplied with wholesome water must be provided for drinking purposes.
- For further information, contact the Water Regulations department of your local Water Supplier (see WRAS website [www.wras.co.uk](http://www.wras.co.uk) or Yellow Pages for details) or the Water Regulations Advisory Scheme by e-mail ([info@wras.co.uk](mailto:info@wras.co.uk)) or telephone: 01495 248454.
- The Water Supply (Water Fittings) Regulation 1999 in England and Wales; The Scottish Water Byelaws 2004 and Northern Ireland Regulations.

## General Specifications

Operating pressure range (bar)	Min	Max
	1.0	8.0

Maximum static pressure – 10.0 bar

NOTE:- Suitable for high pressure supplies only.

Product has a brass construction with chrome plating to BS EN 248 standard.

## Installation Requirements.

This fitting needs to be installed in accordance with the following Installation Requirements and Notes (IRN) to ensure they meet the requirements of the Water Supply (Water Fittings) Regulations 1999 and the Scottish Byelaws 2004. For further details contact your Local Water Authority.

**For backflow protection in premises or installations up to fluid category 5.**

The vertical distance of the outlet above the spill-over level shall be not less than 20 mm or twice the diameter of the inlet pipe to the fitting, whichever is the greater. If the fitting cannot be installed as indicated it shall be installed:-

- a) With a backflow prevention arrangement suitable for the Fluid Category or
- b) So that it draws water by gravity only from a cistern, cylinder or tank having a permanently open vent pipe, the vertical distance between the point at which the pipe or pipes supply water to the fittings is or are connected to the supply and the spill-over level of any fixed appliances is not less than the dimensions stated above, and the vent pipe or pipes supplies no other fittings (other than a draining tap) at a lower level.

It is essential that all pipe work is flushed through to remove debris and swarf that could otherwise damage the fitting. Once the pipe work has been flushed through, turn off the water supply at the stop valve.

Two non-return valves are supplied with this mixer, one of each should be fitted in the hot and cold water supply to the mixer to prevent the possibility of backflow, however this mixer tap must be installed in accordance with the above mentioned Regulations.

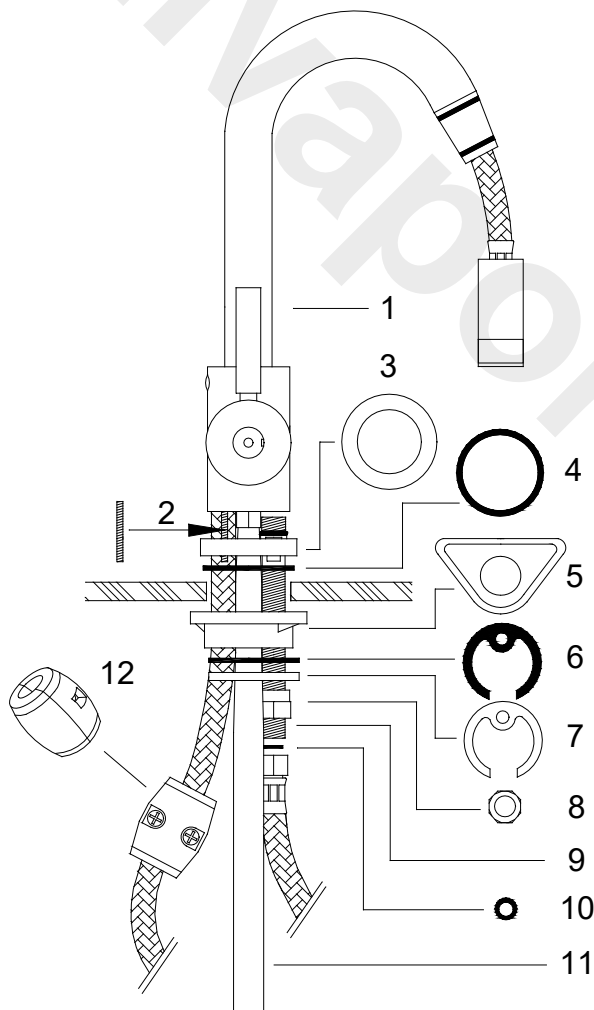
**Important:** Independent stop valves complying with the current water regulations should be fitted as a means of isolating both water supplies to the fitting for servicing and/or maintenance work.

## Installation.

1. Identify all components are present prior to starting installation using the diagram on page 06.

### Contents

- |                              |                                       |
|------------------------------|---------------------------------------|
| 1. Mixer                     | 7. C-shaped metal washer              |
| 2. Locating stud             | 8. Nut                                |
| 3. Plinth                    | 9. Threaded rod                       |
| 4. Rubber Washer             | 10. Small washer                      |
| 5. Triangular fixing bracket | 11. Flexi Tails (Check valves fitted) |
| 6. C-shaped rubber washer    | 12. Hose weight                       |



## Installation Continued

2. Screw locating studs (2) into mixer (1). Place plinth (3) and rubber washer (4) at the base of the mixer (1). Then position the base on the sink.
3. Offer up the triangular spacer (5), C-shaped rubber washer (6) and C-shaped metal washer (7), securing in position with nut (8) and (hollow) threaded rod (9).
4. Screw the tail pipes (11) into the mixer and connect the hot and cold supplies.
5. Connect the flexible hose to the hollow threaded rod (9) with the small washer (10) provided.
6. Fix the hose weight (12) to the flexible pipe.
7. Fully open both valves, letting them run for a few minutes to flush out the system and check all joints and connections for leaks.
8. See over the page for aftercare instructions.

**N.B.** This mixer is supplied with a check valve fitted in the pull out spray, as well as two additional check valves, fitted to the flexi tails. The check valves have been fitted in order to prevent backflow i.e. Cold from the mains and hot via a hot water cylinder, in order to comply with Water Regulations. For further details contact your Local Water Authority.

### Operation.

Moving the lever outward/inward from the mixer body will turn on/off and increase/decrease the flow of water.

Moving the lever either backwards or forwards (when the mixer is viewed from the front) will increase/decrease the water temperature.

## Maintenance

### General Cleaning

Your fitting has a high quality finish and should be treated with care to preserve the visible surfaces. All finishes will wear if not cleaned correctly. The only safe way to clean your product is to wipe with a soft damp cloth. Stains can be removed using washing up liquid. All bathroom cleaning products (powders and liquids) will damage the surface of your fitting, even the non-scratch cleaners.

**Note:** Never use abrasive detergents or disinfectants or those containing alcohol, hydrochloric acid or phosphoric acid.

If your fitting begins to leak the following should be carried out;

Isolate both hot and cold water supplies to the tap by either:

- Turning the water supply off at the mains stopcock or
  - Turning off the isolation valves to the tap.
1. Remove the caps on the handles & remove the screws.
  2. Pull the handles away from the mixer body.
  3. Unscrew the valves.
  4. Carefully clean the valves and seating.
  5. If necessary replace the valves.
  6. Replace the valves.
  7. Replace all remaining components and turn on water supply.
  8. Check for leaks and contact our helpline if problem persists.



## Troubleshooting

Symptom	Cause	Remedy
No flow or poor flow rate.	Partially closed stop or service valve in water supply pipework to the tap.	Open stop or service valve.
	Head of water is below the minimum distance required.	Refer to the Specification section for minimum pressures required.
	Possible airlock / blockage in supply pipework	Remove water supplies from the fitting and flush the system to remove any airlocks / debris.
	Cartridge / Valve not opening fully.	Service fitting. Refer to maintenance section on page 09.
Water dripping for a few seconds after the tap has been turned off.	This is caused by 'capillary action' and residual water in the spout being siphoned out. This should only last for a couple of seconds.	
Constant dripping / leaking when the tap is not in use.	Cartridge / Valve not fully shutting off.	Service fitting and replace cartridge / valve. Refer to maintenance section on page 09.
Fitting does not turn on.	Water supplies not turned on.	Check that the water supplies to the fitting are turned on.
	Closed stop or service valve.	Open stop or service valve.

# BRISTAN

## Bristan Guarantee

At Bristan, we want to make things as easy as possible for our customers. That's why we offer solid guarantees on all our products, effective from the date of purchase, to give you peace of mind.

To start your free guarantee, simply scan the QR code and register your product.

Alternatively, visit [www.bristan.com/register](http://www.bristan.com/register) to register your product via a computer.

For full guarantee terms and conditions visit, [www.bristan.com/guarantees](http://www.bristan.com/guarantees)



*We Know & We Care*

Installation Notes

[www.divapor.com](http://www.divapor.com)

---

# BRISTAN

---

This booklet covers product code:

BE SNK C

Helpline

0330 026 6273

Bristan Group Limited

Birch Coppice Business Park, Dordon, Tamworth, Staffordshire B78 1SG

A Masco Company

Website: [www.bristan.com](http://www.bristan.com)

Telephone: 0330 026 6273

Email: [enquire@bristan.com](mailto:enquire@bristan.com)